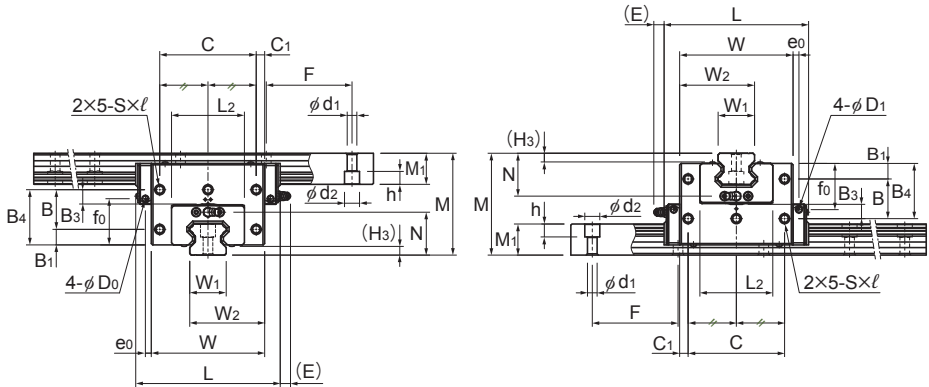


Model CSR



Models CSR20 to 45

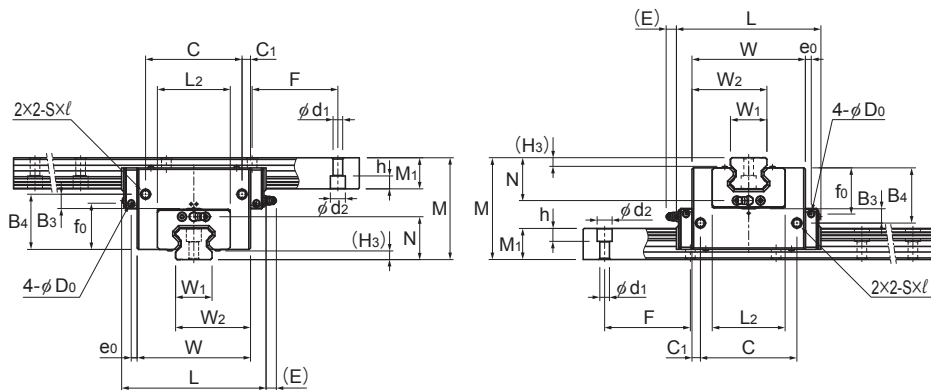
| Model No. | Outer dimensions | | | LM block dimensions | | | | | | | | | | | | | | Grease nipple |
|-------------------|------------------|--------------|---------------|---------------------|----------------|----------------|---------|----------|----------------|----------|----------------|------|-----|----------------|----------------|----------------|---------|---------------|
| | Height | Width | Length | B ₁ | B ₃ | B ₄ | B | C | C ₁ | S × ℓ | L ₂ | N | E | e ₀ | f ₀ | D ₀ | | |
| | M | W | L | | | | | | | | | | | | | | | |
| CSR 15 | 47 | 38.8 | 56.6 | — | 11.0 | 34.8 | — | 20 | 9.4 | M4 × 6 | 32 | 19.7 | 5.5 | 3.2 | 22.1 | 3 | PB1021B | |
| CSR 20S CSR 20 | 57 | 50.8 66.8 | 74 90 | — 13 | 12.7 7.2 | 42.5 37 | — 24 | 30 56 | 10.4 5.4 | M5 × 8 | 42 | 25 | 12 | 3.1 | 24.8 | 3 | B-M6F | |
| CSR 25S CSR 25 | 70 | 59.5 78.6 | 83.1 102.2 | — 18 | 16.4 8.4 | 52 44 | — 26 | 34 64 | 12.75 7.3 | M6 × 10 | 46 | 30 | 12 | 3.5 | 30.5 | 3 | B-M6F | |
| CSR 30S CSR 30 | 82 | 70.4 93 | 98 120.6 | — 21 | 19.4 11.4 | 61 53 | — 32 | 40 76 | 15.2 8.5 | M6 × 10 | 58 | 35 | 12 | 5.2 | 38.2 | 5.2 | B-M6F | |
| CSR 35 | 95 | 105.8 | 134.8 | 24 | 13.3 | 61 | 37 | 90 | 7.9 | M8 × 14 | 68 | 40 | 12 | 5.5 | 43.1 | 5.2 | B-M6F | |
| CSR 45 | 118 | 129.8 | 170.8 | 30 | 15.4 | 75 | 45 | 110 | 9.9 | M10 × 15 | 84 | 50 | 16 | 6.4 | 53.1 | 5.2 | B-PT1/8 | |

Model number coding

4 CSR25 UU C0 +1200/1000L P

| | | | | | |
|------------------------|--------------|--|--------------------------------------|--------------------------------------|--|
| 4 | CSR25 | UU | C0 | +1200/1000L | P |
| | | | | | |
| Total No. of LM blocks | Model number | Contamination protection accessory symbol (*1) | LM rail length on the X axis (in mm) | LM rail length on the Y axis (in mm) | Accuracy symbol (*3) |
| | | Radial clearance symbol (*2) Normal (No symbol)/Light preload (C1) Medium preload (C0) | | | Precision grade (P)/Super precision grade (SP) Ultra precision grade (UP) |

(*1) See contamination protection accessory on **A1-524**. (*2) See **A1-73**. (*3) See **A1-81**.



Models CSR15, 20S to 30S

Unit: mm

| | H ₃ | LM rail dimensions | | | | | | Basic load rating | | Static permissible moment* | | Mass | |
|--|----------------|----------------------------------|----------------|--------------------------|------------|-------------------------------------|----------------|-------------------|----------------------|----------------------------|------------------------|----------------|-----------------|
| | | Width W ₁ ±0.05 | W ₂ | Height M ₁ | Pitch F | d ₁ × d ₂ × h | Length* Max | C kN | C ₀ kN | M ₀ kN·m | M _B kN·m | LM block kg | LM rail kg/m |
| | 4.7 | 15 | 26.9 | 15 | 60 | 4.5×7.5×5.3 | 3000 | 10.9 | 15.7 | 0.0945 | 0.0945 | 0.34 | 1.5 |
| | 4 | 20 | 35.4 43.4 | 18 | 60 | 6×9.5×8.5 | 3000 | 19.8 23.9 | 27.4 35.8 | 0.218 0.307 | 0.218 0.363 | 0.73 1.3 | 2.3 |
| | 5.5 | 23 | 41.25 50.8 | 22 | 60 | 7×11×9 | 3000 | 27.6 35.2 | 36.4 51.6 | 0.324 0.518 | 0.324 0.627 | 1.2 2.2 | 3.3 |
| | 7 | 28 | 49.2 60.5 | 26 | 80 | 9×14×12 | 3000 | 40.5 48.9 | 53.7 70.2 | 0.599 0.852 | 0.599 0.995 | 2 3.6 | 4.8 |
| | 7.5 | 34 | 69.9 | 29 | 80 | 9×14×12 | 3000 | 65 | 91.7 | 1.37 | 1.49 | 5.3 | 6.6 |
| | 10 | 45 | 87.4 | 38 | 105 | 14×20×17 | 3090 | 100 | 135 | 2.59 | 2.59 | 9.8 | 11 |

Note1) The maximum length under "Length*" indicates the standard maximum length of an LM rail. (See [A1-316](#).)

Static permissible moment* 1 block: the static permissible moment with one LM block

Total block length L

: The total block length L shown in the table is the length with the dust proof parts, code UU or SS. If other contamination protection accessories or lubricant equipment are installed, the total block length will increase.

(See [A1-499](#) or [A1-520](#))

Note2) The Model CSR is not available with an upper surface greasing hole.

